



Part number

MHO 10.20



Brief description:

hoods for two levers, size "57.27", side entry, M20, metal version, IP66

Product description		Approvals / Standards	
Version	metal version	Quality mark	 (type:4/4X/12),  , EAC
Series	hoods for two levers	Conformity	CQC, CE
Product type	with 4 pegs	General ordering information	
Variant	side entry	EAN13 code	8015747053211
Family	CLASS enclosures	Tariff number	85369095
Size	size "57.27"	Packaging Information	
Technical data		Packaging length	255,00 mm
Material	metal	Packaging height	150,00 mm
IP degree of protection	IP66 (and IP69K DIN 40050 - 9)	Packaging width	180,00 mm
Cable entry	M20	Packaging weight	2,79 kg
Further technical details		Packaging volume	6,89 dm ³
Weight	140,00 g	Packaging description	Carton box
		Packaging quantity	20 Pcs
		Packaging EAN code	8015747053228
		Sub-packaging weight	0,70 kg
		Sub-packaging description	Plastic pakaging
		Sub-packaging quantity	5 Pcs
		Sub-packaging EAN barcode	8015747053235

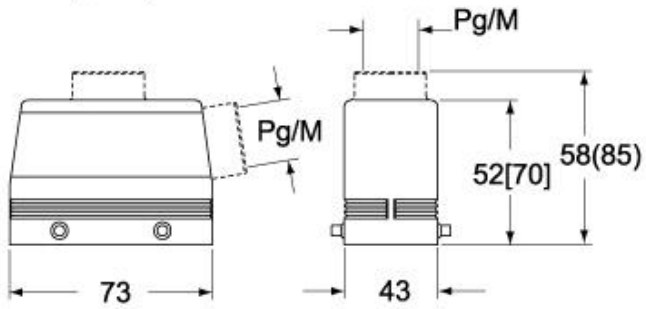
Part number

MHO 10.20

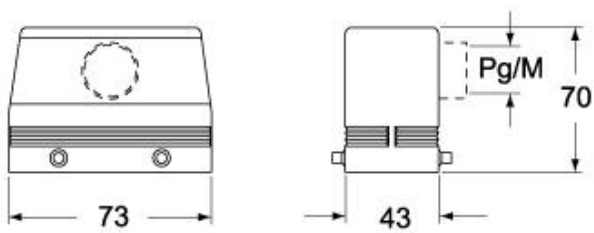


Catalogue drawings

**CHO [CAO] CHV (CAV) - MHO [MAO]
MHV (MAV)**



CAF - MAF/MFF



CHV G (CAV G) - MHV G (MAV G) - [MFV G]

